

Nordic Malmoe



GENERAL

Name	Nordic Malmoe
Type	Handysize Seahorse
Built	March 2011
Flag	Liberia
Class	American Bureau of Shipping
DWAT	35.843 mts on 10,343 m (summer)
TPC	50,9 mt/cm (summer)
Tonnage	24.212 (GT) / 12.108 (NT)
LOA	180,00 m
Beam	30,00 m
Depth	14,76 m

HOLDS & HATCHES

Hatchcover type		TTS, Electro hydraulic end-folding type				
Tanktop strength		22,0 mt/sqm				
		Length	Breadth (fore/aft)	Height	Grain	Bale
Hatchcovers	No.1	16,00 m	18,70 m / 15,00 m			
	No.2	19,20 m	20,30 m			
	No.3	19,20 m	20,30 m			
	No.4	19,20 m	20,30 m			
	No.5	19,20 m	20,30 m			
Cargo holds	No.1	27,50 m	7,85 m / 26,00 m	15,10 m	7.961,90	7.832,00
	No.2	26,30 m	26,60 m	15,50 m	9.790,40	9.525,00
	No.3	26,20 m	26,60 m	15,50 m	9.790,90	9.525,00
	No.4	26,20 m	26,60 m	15,50 m	9.790,70	9.525,00
	No.5	28,30 m	26,60 m / 6,50 m	15,10 m	9.428,20	9.276,00
Total Capacity					46.762,10	45.683,00

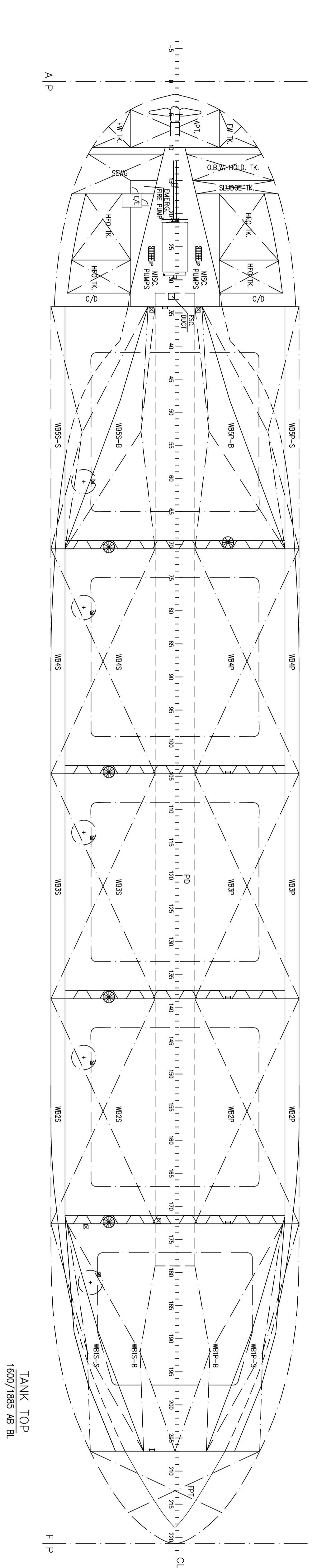
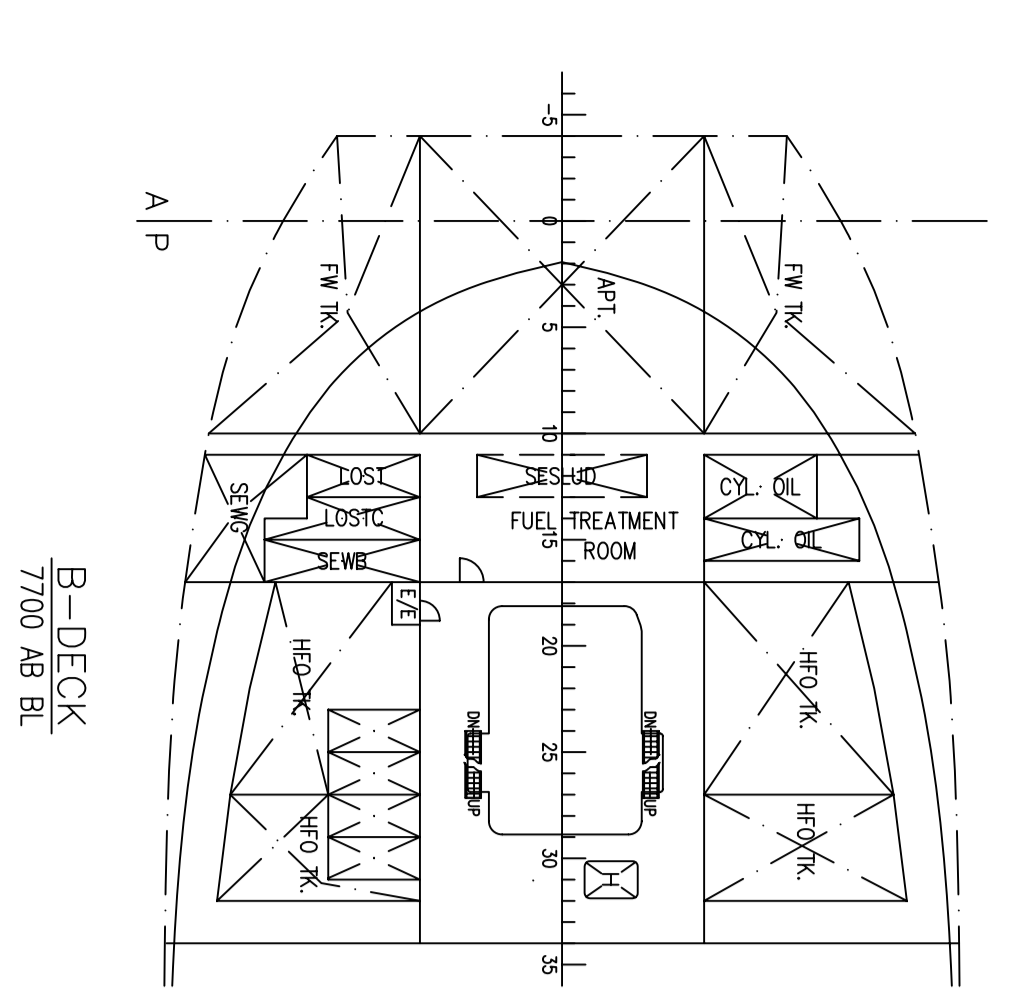
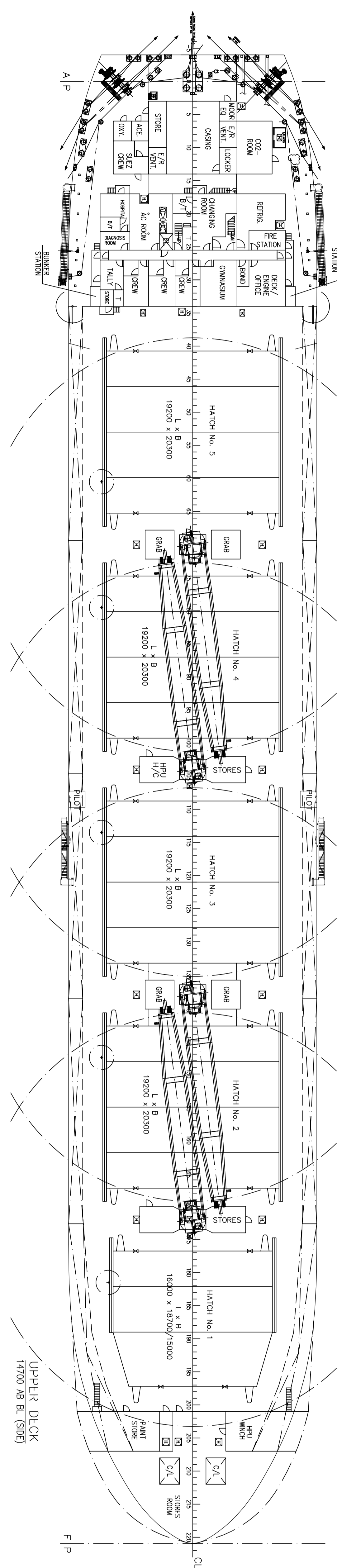
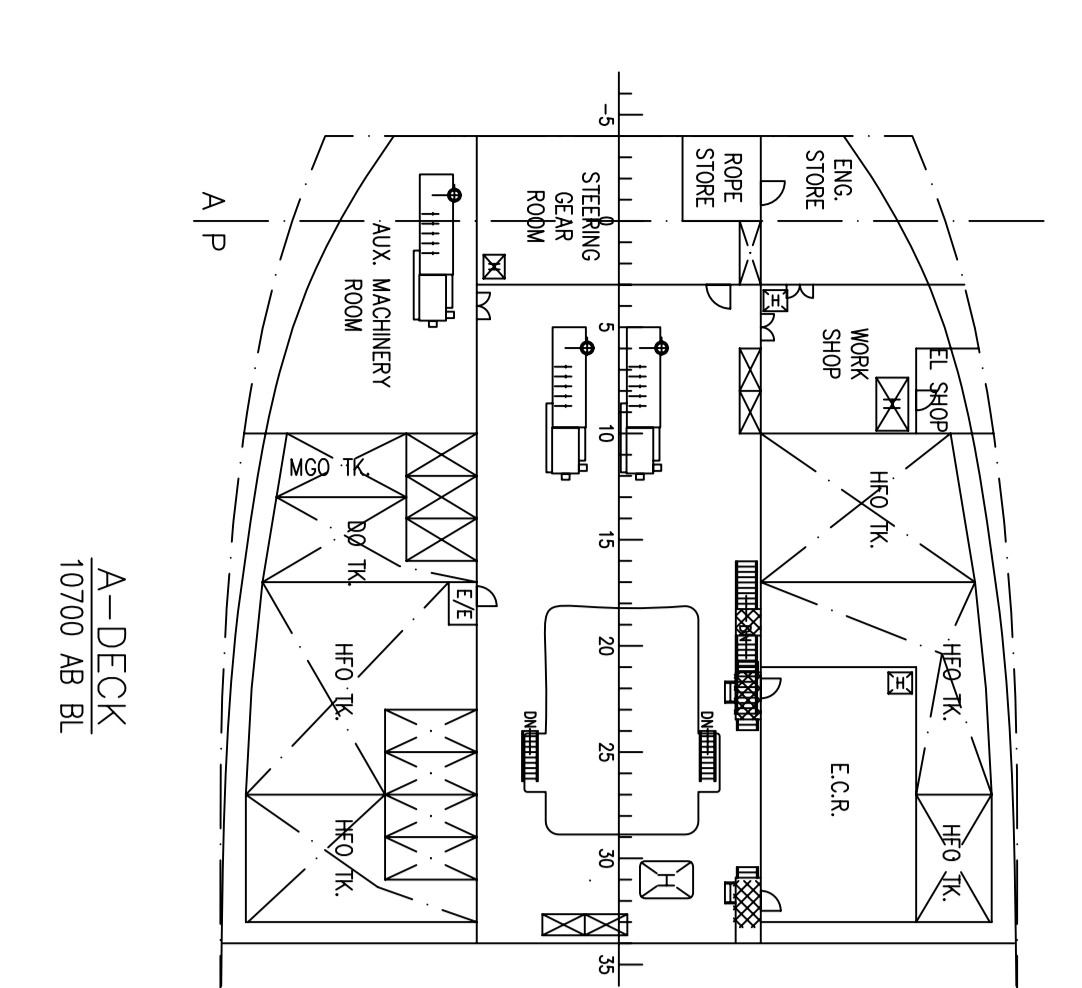
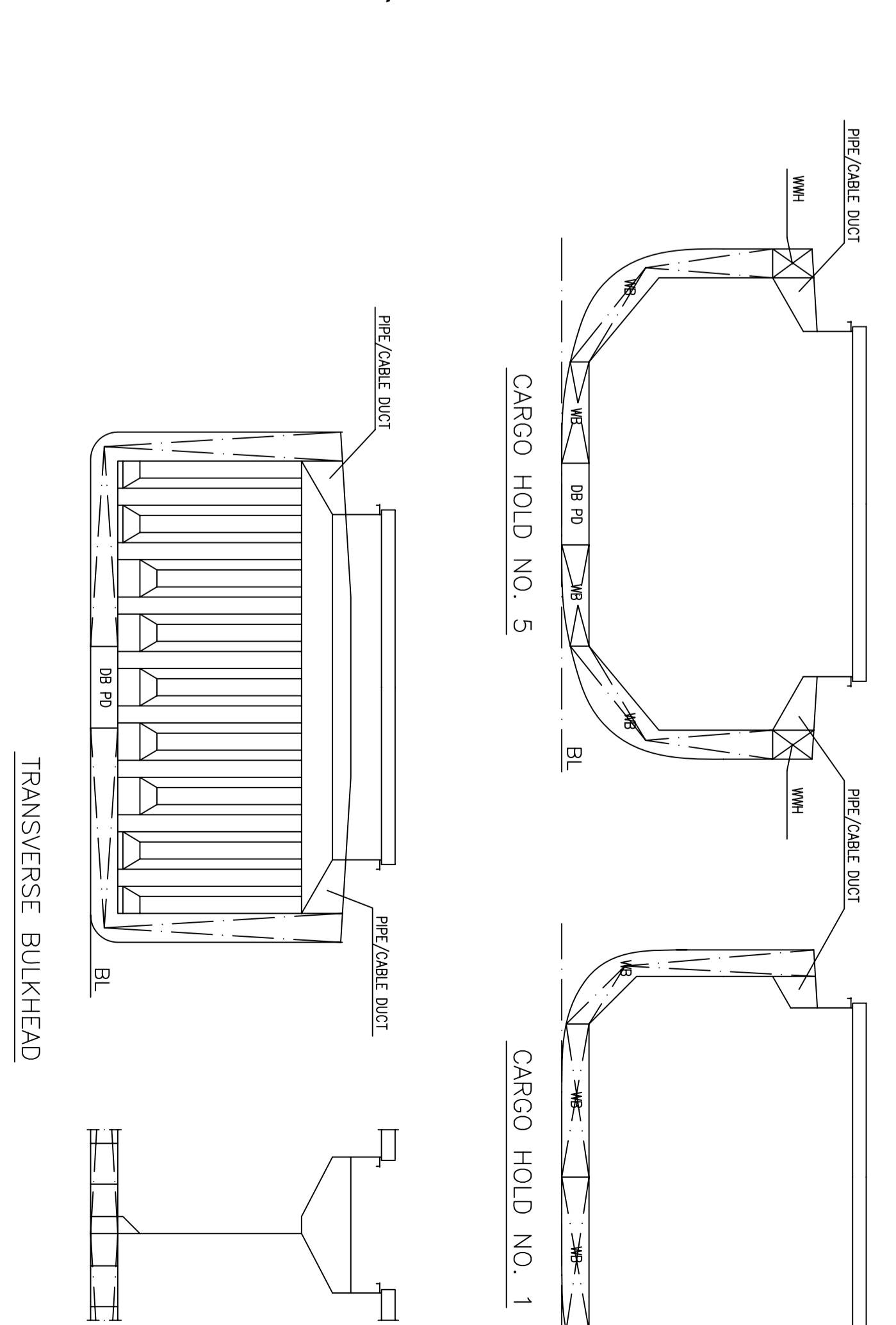
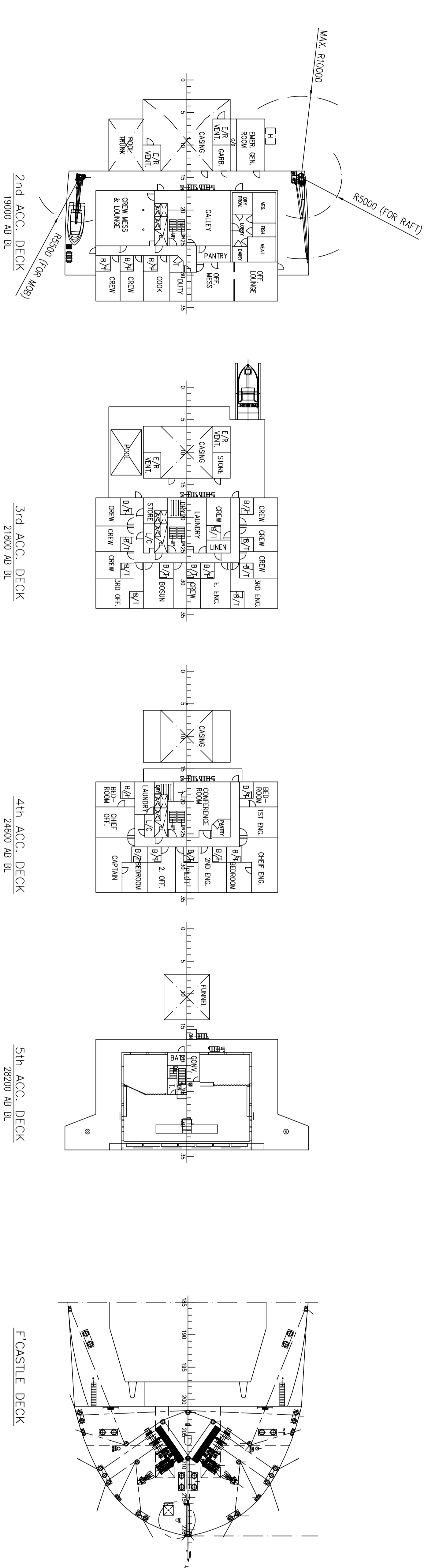
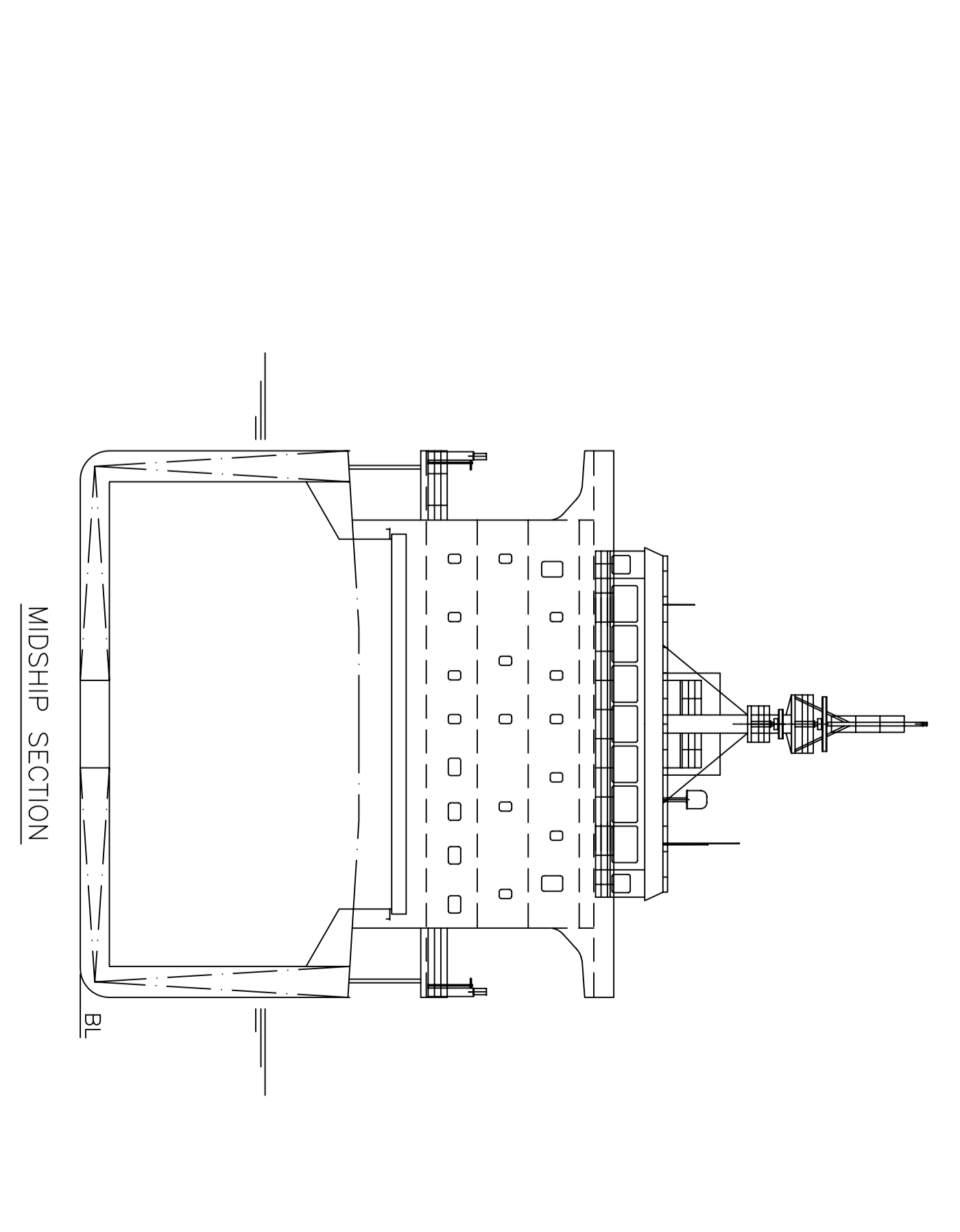
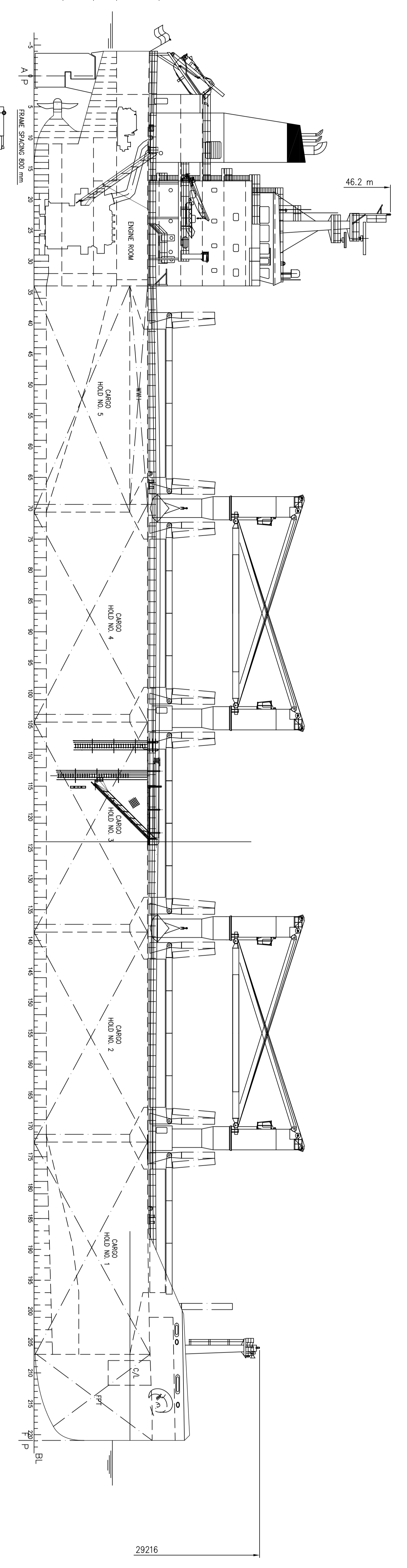
GEAR & ENGINE

Crane type	Electro hydraulic cranes – not combinable
SWL	4 x 30 mt each
Outreach	min. 3,60 m / max. 25,00m
Grabs type	No
Capacity	N/A
Main Engine type	MAN B&W 5S50ME-C8-TII
Output	7500 KW
Aux. Engine type	MAN L23/30H
Output	3 x 650 KW

OTHER FITTINGS

Logs fitted	No
Cement holes	Yes
Ventilation	Natural
Grain fitted	Yes
CO2 fitted	Yes
A60 bulkhead	Yes
Australian hold ladder	Yes
Strengthened for heavy cargo	Yes

WHELDHOUSE TOP
 37200 mm AB BL
 5th ACC. DECK
 28200 mm AB BL
 4th ACC. DECK
 21800 mm AB BL
 3rd ACC. DECK
 19200 mm AB BL
 2nd ACC. DECK
 19200 mm AB BL
 UPPER DECK CASES
 14700 mm AB BL
 A-DECK 10700 mm AB BL
 B-DECK 7700 mm AB BL
 E&B 11008 13750 mm AB BL
 TANK TOP
 1500/1885 mm AB BL



BUREAU VERITAS Register 13918W
 FOR REFERENCE ONLY
 See open to : www.bv.com
 Shanghai, 05-Jan-2012
 (Electronic document)



SEAHORSE 35 - 35,000 DWT BULK CARRIER

MAIN DIMENSIONS (ALL APPROX.):

LENGTH O.A. MAX.	180.00 m
LENGTH PP APPROX.	176.75 m
RULE LENGTH	174.60 m
BREADTH (MID)	30.00 m
DEPTH TO UPPER DECK (MID)	14.70 m
CARGO CAPACITY (100%)	46,700 m ³
DWT (SCANTLING DRAUGHT)	35,000 t
SCANTLING DRAUGHT	10.10 m
CB (SCANTLING DRAUGHT)	0.82
SERVICE SPEED (SCANTLING DRAUGHT)	14.00 kn
CORRESPONDING OUTPUT (15% SEA MARGIN)	6,300 kW

CLASS NOTATION:
 BY I, +HULL, +MACH, Bulk Carrier CSR, OPS(WBT), ESP, BC-A
 (Holds 2 and 4 may be empty), GRAB(CO), unrestricted navigation,
 AUT-UMS, heavycargo, MON-SHAFT, INWATERSURVIV

Grontmij | Carl Bro
 Maritime
 Naval Architects-Marine Engineers-Surveyors

Copenhagen 8 DK-2600 Oestrup
 Denmark Telephone +45 43 48 88 88
 Fax +45 43 48 88 88
 E-mail info@grontmij.com
 Website www.grontmij.com

Rev. Description	GD-A	Date	Sign	Check
23-11-2011	YTH	WCR		
Subject : GENERAL ARRANGEMENT				
Job No. : 40.4767.00	Draw No. : 009-01	Scale : 1:400		
Yard No. : BC350-04	Approved Date	Size : 841x584		
Class : BUREAU VERITAS	Date : 07-May-2010	Sign : WAG/LIN		
Owner : NORDIC HAMBURG SHIPPING	Check : SCS			